

Technical data sheet

Pipe end cap, splittable, black

Item number: 2047936



Separable pipe end cap to slot onto metric electrical installation pipes. The separable pipe end cap can be used for repairs on existing installations according to regulations. It is not necessary to disconnect the cables, allowing quick mounting.



PE Polyethylene

Master data

Item number	2047936
Type	129 TB M16 SW
Description 1	Pipe end sleeve, separable
Description 2	metric
Manufacturer	OBO
Dimension	M16
Colour	Black
Material	Polyethylene
Smallest sales unit	50
Unit of quantity	Piece
Weight	0.4 kg
Weight unit	kg/100 pc.
CO2 Footprint (GWP) Cradle-to-Gate	0,0142 kg CO2e / 1 Piece

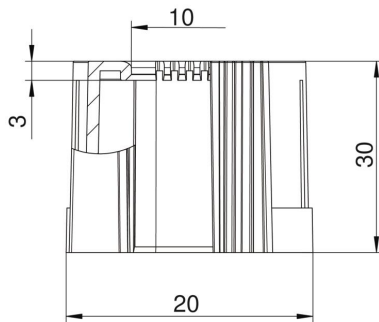
Technical data sheet

Pipe end cap, splittable, black

Item number: 2047936



Dimensions



Dimension D1	20 mm
Dimension D2	10 mm
Dimension L1	30 mm
Dimension L2	3 mm

Technical data

Version for for pipe diameter	Connector 16 mm
Size	M16
Halogen-free	yes
Brushed surface	no
Polished surface	no