

# Technical data sheet

Series pressure clip, pure white

Item number: 2250705



Universal clip for the single fastening of cables and pipes, all sizes can be seamlessly expanded among each other, with adhesive foot, slot and for screwing on to an M6 thread.

\*Sizes 3–7 are not suitable for nail guns.



PA Polyamide

## Master data

Item number	2250705
Type	2037 12-20 RW
Description 1	Series pressure clip
Manufacturer	OBO
Dimension	12-20mm
Colour	Pure white; RAL 9010
Material	Polyamide
Smallest sales unit	50
Unit of quantity	Piece
Weight	0.586 kg
Weight unit	kg/100 pc.
CO2 Footprint (GWP) Cradle-to-Gate	0,0288 kg CO2e / 1 Piece

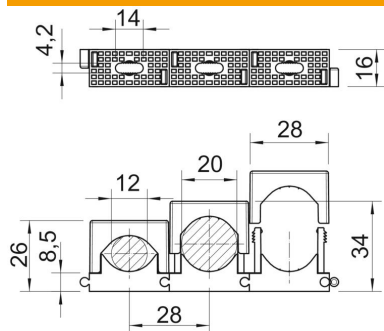
# Technical data sheet

Series pressure clip, pure white

Item number: 2250705



## Dimensions



Dimension A	28 mm
Dimension d max.	20 mm
Dimension d min.	12 mm
Dimension F	14 mm
Dimension H1	8.5 mm
Dimension H2	26 mm
Dimension H3	34 mm

## Technical data

Expandable	yes
Number of cables/pipes	1
Fastening type	Screw hole
Halogen-free	yes
Snap system	yes
Impact-resistant	no
Clamping range D, max.	20 mm
Clamping range D, min.	12 mm