

Technical data sheet

Identification plate DE

Item number: 7205425



Identification plate to be written on with waterproof and light-resistant felt-tip pen for fire-safe cable glands, including 2 push-fit anchors.

PS Polystyrene

Master data

Item number	7205425
Type	KS-S DE
Description 1	Identification plate
Description 2	for insulation systems
Manufacturer	OBO
Dimension	100x70mm
Colour	White
Material	Polystyrene
Smallest sales unit	1
Unit of quantity	Piece
Weight	2.4 kg
Weight unit	kg/100 pc.
CO2 Footprint (GWP) Cradle-to-Gate	0,0974 kg CO2e / 1 Piece

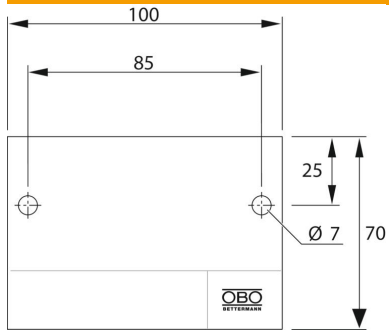
Technical data sheet

Identification plate DE

Item number: 7205425



Dimensions



Technical data

Language

German