

# Technical data sheet

## Head plate A4

Item number: 6348877



Head plate for mounting on US 3 supports.  
The head plate can be mounted to fixed lengths of the U support, type US 3.  
Including appropriate fastening material.  
Including appropriate fastening material.



**VA** Stainless steel, grade 354/1

**2B** Bright, treated

### Master data

Item number	6348877
Type	KU 3 A4
Description 1	Head plate
Description 2	for US 3 support
Manufacturer	OBO
Dimension	130x40x100
Material	Stainless steel, grade 354/1
Surface	Bright, treated
Surface standard	
Smallest sales unit	1
Unit of quantity	Piece
Weight	40.7 kg
Weight unit	kg/100 pc.

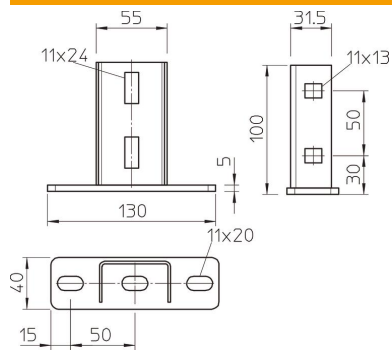
# Technical data sheet

## Head plate A4

Item number: 6348877



### Dimensions



Length	130 mm
Width	40 mm
Height	100 mm

### Technical data

Version for	Screw head plate
Maintain electrical functions	no
Suitable for ceiling fastening	yes
Suitable for panel fastening	no
Suitable for profile shapes	U profile
Rustproof steel, pickled	no
Angle range, max.	90 mm
Angle range, min.	90 mm