

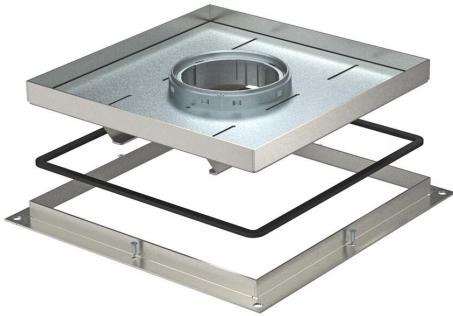
Technical data sheet

Heavy-duty frame cassette for tube body, RKFSL, nominal size 250-3

Item number: 7409530



Heavy-duty frame cassette for tube body for the installation of accessories in the UZD250-3 in dry or wet-care floors in interior areas Load class 2 to 20 kN. The tube body is not contained in the scope of delivery.



A2 Stainless steel

Master data

| | |
|------------------------------------|---------------------------|
| Item number | 7409530 |
| Type | RKF2 SL2 V2 40 |
| Description 1 | Heavy-duty frame cassette |
| Description 2 | for tube |
| Manufacturer | OBO |
| Dimension | 283x283x40 |
| Material | Stainless steel |
| Smallest sales unit | 1 |
| Unit of quantity | Piece |
| Weight | 777 kg |
| Weight unit | kg/100 pc. |
| CO2 Footprint (GWP) Cradle-to-Gate | 34,8723 kg CO2e / 1 Piece |

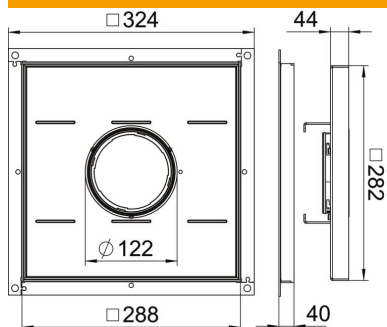
Technical data sheet

Heavy-duty frame cassette for tube body, RKFSL, nominal size 250-3

Item number: 7409530



Dimensions



| | |
|-------------|--------|
| Dimension A | 324 mm |
| Dimension B | 288 mm |
| Dimension C | 282 mm |
| Dimension h | 40 mm |

Technical data

| | |
|--|-----------------------------|
| Cable outlet version | Lowerable tube body |
| Suitable for raised floor installation | yes |
| Suitable for cavity floor installation | yes |
| Suitable for | Underfloor socket structure |
| Suitable for underfloor box | 250 |
| Length of installation dimensions | 290 mm |
| Protection rating (IP) when used | IP20 |
| Protection rating (IP) when unused | IP44 |
| Protection rating IK code | IK10 |
| Heavy-duty version | yes |
| Heavy load class | 20 kN (OBO SL2) |
| Floor covering thickness | 34 mm |