

# Technical data sheet

## Separating retainer 60 A4

Item number: 6062086



Barrier strip for the separation of cables of different voltages or functions.



**A4** Stainless steel

**2B** Bright, treated

### Master data

Item number	6062086
Type	TSG 60 A4
Description 1	Barrier strip
Description 2	for cable support systems
Manufacturer	OBO
Dimension	60x2995
Material	Stainless steel
Surface	Bright, treated
Surface standard	
Smallest sales unit	3
Unit of quantity	Metre
Weight	59.256 kg
Weight unit	kg/100 m

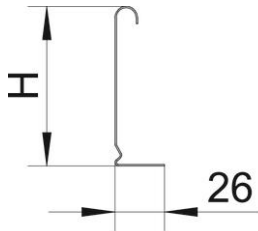
# Technical data sheet

## Separating retainer 60 A4

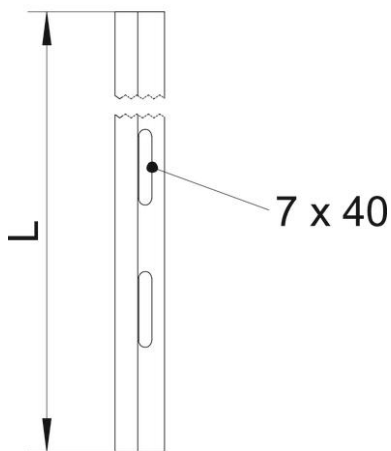
Item number: 6062086



### Dimensions



Length	3,000 mm
Length	10 ft
Height	60 mm
Height	2 in
Plate thickness	0.75 mm
Dimension H (Inch)	2 in
Dimension H	60 mm
Dimension L	10 ft
Dimension L	3,000 mm



### Technical data

Version for	L profile
Fastening type	Screw-on
Fastening perforation (ETIM)	no
Maintain electrical functions	no
Suitable for mesh cable tray	yes
Suitable for cable ladder	yes
Suitable for cable tray	yes
Rustproof steel, pickled	no