

# Mounting instructions

Desk trunking GEK-S

---

**Desk trunking GEK-S**  
*Mounting instructions*

## Table of contents

<b>1</b>	<b>About these instructions</b>	<b>5</b>
1.1	Target group	5
1.2	Relevance of these instructions	5
1.3	Types of warning information	5
1.4	Basic standards and regulations	5
1.4.1	Product standard	5
1.4.2	Application standard	5
1.4.3	Guidelines and ordinances	6
1.5	Applicable documents	6
<b>2</b>	<b>Intended use</b>	<b>6</b>
<b>3</b>	<b>Safety</b>	<b>6</b>
3.1	General safety information	6
3.2	Personal protective equipment	7
<b>4</b>	<b>Necessary tools</b>	<b>7</b>
<b>5</b>	<b>System description</b>	<b>7</b>
5.1	System overview	8
<b>6</b>	<b>Mounting desk trunking GEK-S</b>	<b>9</b>
6.1	Mounting the trunking base	10
6.1.1	Mounting the coupling	11
6.2	Mounting fittings	11
<b>7</b>	<b>Installing devices</b>	<b>14</b>
7.1	Mounting the Modul 45® device	14
7.2	Mounting the Modul 45 connect® socket	15
7.3	Mounting the support ring devices	16
7.4	Mounting the CEE socket	20
<b>8</b>	<b>Mounting accessories</b>	<b>23</b>
8.1	Earthing desk trunking GEK-S	25
<b>9</b>	<b>Caring for desk trunking GEK-S</b>	<b>26</b>
<b>10</b>	<b>Maintaining desk trunking GEK-S</b>	<b>26</b>
<b>11</b>	<b>Disassembling desk trunking GEK-S</b>	<b>26</b>
<b>12</b>	<b>Disposing of desk trunking GEK-S</b>	<b>26</b>
<b>13</b>	<b>Technical data</b>	<b>27</b>



# 1 About these instructions

## 1.1 Target group

These instructions are intended for the following target groups:

- Trained electrical specialists charged with mounting the desk trunking
- Electrical planners and engineers charged with the planning of cable routing systems

Electrical work may only be carried out by specialist personnel with electrical training.



Installation  
electrotechnical expertise

## 1.2 Relevance of these instructions

These instructions are based on the standards valid at the time of compilation (August 2025).

Please read the instructions carefully before commencing mounting. We will not accept any warranty claims for damage and liability caused through non-observance of these instructions.

Any images are intended merely as examples. Mounting results may look different.

All the documents supplied with the product must be stored in an easily accessible location, so as to be available when information is required. (Only for printed instructions)

In these instructions, cables and lines are referred to simply as cables.

## 1.3 Types of warning information

**Note!** *Indicates important information or assistance.*

## 1.4 Basic standards and regulations

### 1.4.1 Product standard

- DIN EN 50085, VDE 0604-2-1:2012-09 “Cable trunking systems and cable ducting systems for electrical installations”
- EN 50310: Telecommunications bonding networks for buildings and other structures

### 1.4.2 Application standard

- DIN VDE 0100 – Part 410: Protection measures
- DIN VDE 0100 – Part 520: Selection and erection of electrical equipment/Protection against external electrical influences (EMC)
- DIN VDE 0105: Operation of electrical installations (general requirements)

- DIN VDE 0107: Heavy-current installations in medical rooms
- DIN VDE 0298: Application of cables and cords in power installations
- EN 50174: Information technology – Cabling installation
- DIN 18015-1: Electrical installations in residential buildings – Part 1: Planning principles

### 1.4.3 Guidelines and ordinances

- Safety regulations for office workstations
- Protection against unauthorised access, e.g. in administrations, military or similar
- Shock protection for protection areas for civil defence

### 1.5 Applicable documents

- The declarations of conformity are linked to the products at [www.obo-bettermann.com](http://www.obo-bettermann.com).
- Symbol approvals, see <https://www.obo.de/service/downloads/zertifikate/gebaeudeinstallation/leitungsfuehrungs-systeme/>

## 2 Intended use

The desk trunking is manufactured according to the standard and may only be used for routing cables. Electrical installation devices (e.g. sockets, data technology supports or multimedia connections) with a nominal voltage of up to 400 V can be installed in the desk trunking. Depending on the version, the desk trunking is designed for use at different ambient temperatures. The desk trunking is only approved for use in dry indoor areas.

## 3 Safety

### 3.1 General safety information

Observe the following general safety information:

- Contact with electrical current can lead to an electric shock.
- Risk of cutting from plate edges.
- Electrical work may only be carried out by specialist personnel with electrical training.
- Cable routing systems may not be used as supports for people or heavy objects.

- Improper mounting or mounting deviating from the manufacturer's specifications may cause the cable routing system to collapse.
- Depending on the version, the cable routing systems are designed for use at different ambient temperatures.
- Do not stand on painted or coated surfaces, in order to prevent damage to the surfaces.

### 3.2 Personal protective equipment

List of personal protective equipment to be used:



Use hand protection



Wear safety shoes

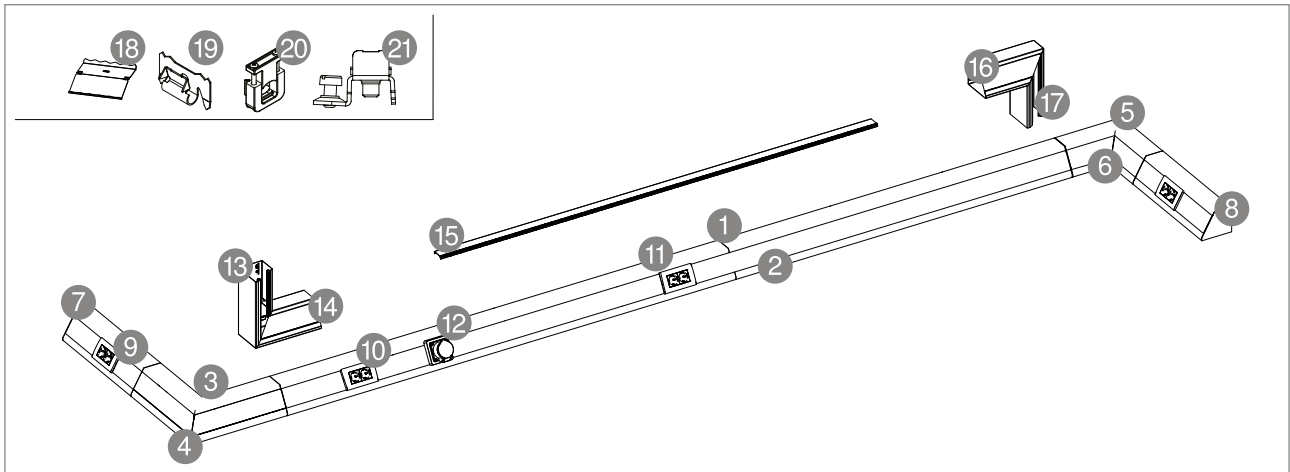
## 4 Necessary tools

List of tools to be used:

- Screwdriver
- Saw
- Drill
- Spirit level
- Pencil

## 5 System description

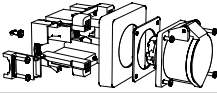
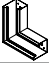




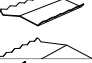


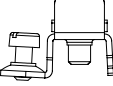
### 5.1 System overview



**Abb. 1:** System overview, desk trunking GEK-S

Item no.	Designation	Figure	Function
1	Desk trunking GEK-S		GEK-S device installation trunking suitable for installation on desks, etc. The visible surfaces of the painted GEK-S device installation trunking are laminated. The actual system opening is 76.5 mm.
2	Trunking cover		Trunking cover for closing the GEK-S desk trunking.
3	External corner		External corner suitable for direct wall mounting.
4	External corner cover		External corner cover for closing external corners.
5	Internal corner		Internal corner suitable for direct wall mounting.
6	Internal corner cover		Internal corner cover for closing internal corners.
7	End piece, left		Left end piece for the desk trunking.
8	End piece, right		Right end piece for the desk trunking.
9	Accessory mounting box 71GD8-2/71GD13/71GD9-2		Front locking single/double/triple accessory mounting box for Modul 45® system, with folding, and also removable, base for time-saving cable connection, with feed openings for cable diameters of up to 14 mm.
10	Modul 45connect® socket		Protective contact socket with side connection single/double/triple, 0°, with increased touch protection, with screwless terminals, 2-pin, 16 A, 250 V~, with connection terminals according to IEC 60884-1.
11	Accessory mounting box 71GD6/71GD7-2		Front locking single/double accessory mounting box for support ring devices, with folding, and also removable, base for time-saving cable connection, with feed openings for cable diameters of up to 14 mm.



Item no.	Designation	Figure	Function
12	Accessory mounting box 71GDCEE		Accessory mounting box for installation of a 3-pole or 5-pole CEE socket, 16 A or 32 A.
13	Flat angle (rising)		Flat angle, rising, for mounting directly on the wall.
14	Flat angle cover (rising)		Flat angle cover (rising) for closing flat angles.
15	Partition		Partition for desk trunking to divide the trunking for different voltage levels.
16	Flat angle cover (falling)		Flat angle cover (falling) for closing flat angles.
17	Flat angle (falling)		Flat angle, falling, suitable for direct wall mounting.
18	Coupling		Coupling for connecting the trunking bases. This creates the equipotential bonding between the trunking bases.
19	Locking bracket		Locking bracket for the mechanical and electrical connection of trunking covers and trunking bases.
20	Strain relief		Strain relief with locking clips, suitable for the 7GD... and 71GD... accessory mounting boxes .
21	Protective conductor connection bracket		Protective conductor connection bracket to include the desk trunking in the protective measure. Clamping range: 2x 1.5–4 mm <sup>2</sup>

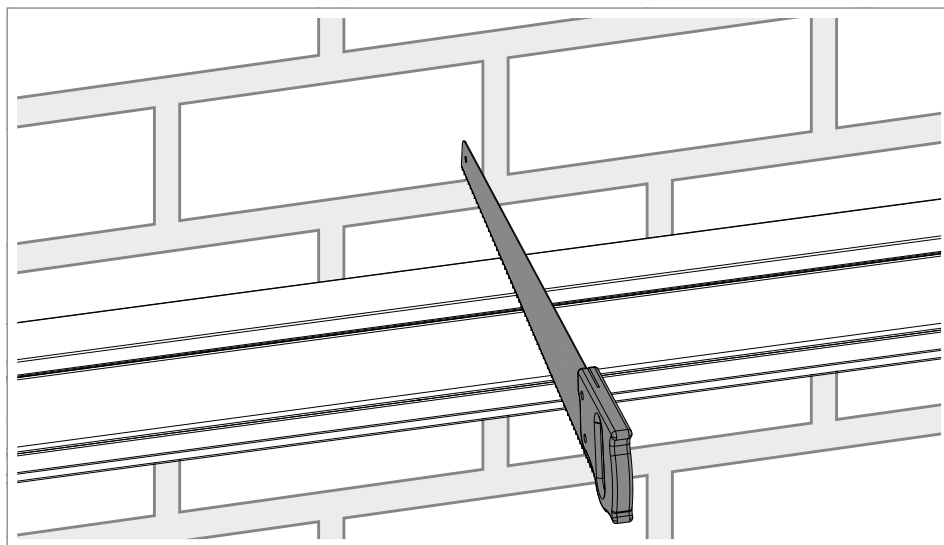
Tab. 1: System overview, desk trunking GEK-S

Desk trunking GEK-S for routing electrical cables indoors. With base perforation for direct mounting on the wall. Device installation possible with accessory mounting boxes. Consisting of trunking base and cover. With 76.5 mm system opening and fastening strap on the trunking base for a partition to separate different voltage levels. Fittings for direction changes, end pieces for closing trunking ends and accessory parts available. Available in a variant made from sheet steel with a robust powder coating in Pure white (RAL 9010) in the dimensions 110 x 133 mm. Tested to DIN EN 50085-1.

The system is used preferably at the height of the tabletop, but can also be installed as skirting trunking at floor height. Switches, sockets and data technology are mounted with the accessory mounting boxes.

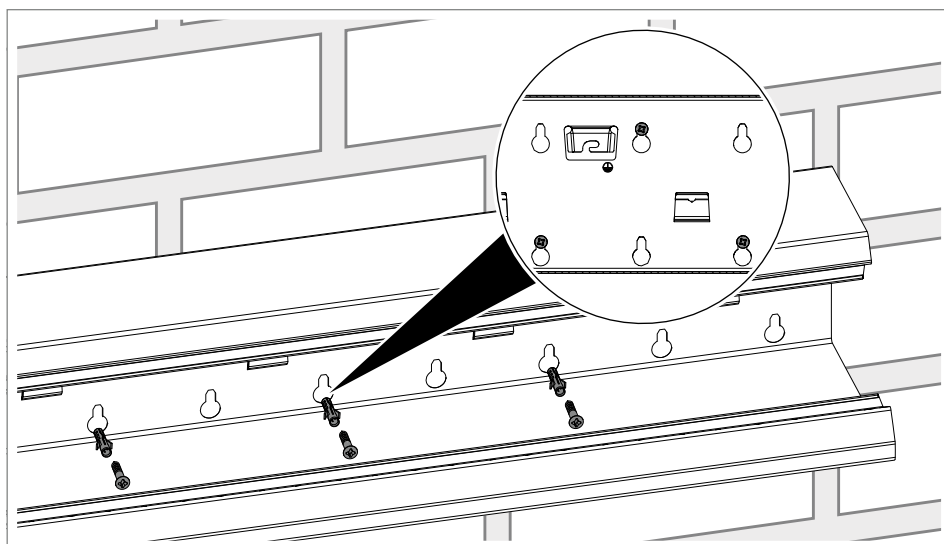
## 6 Mounting desk trunking GEK-S

## 6.1 Mounting the trunking base



**Abb. 2:** Cutting the desk trunking

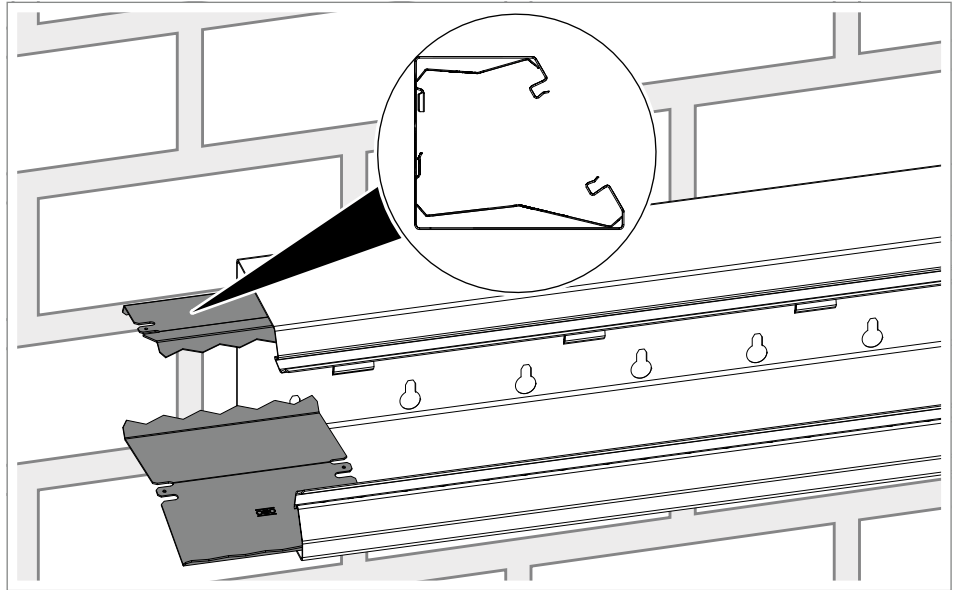
1. Cut the desk trunking ❶ to the desired length.



**Abb. 3:** Mounting the desk trunking

2. Fasten the desk trunking ❶ to the wall using suitable fastening material (e.g. screw and anchor).

### 6.1.1 Mounting the coupling



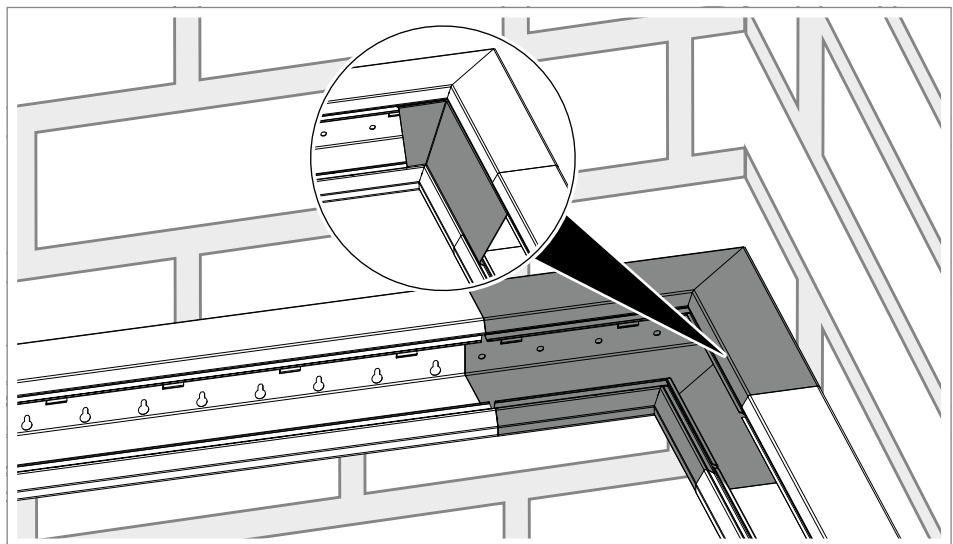
**Abb. 4:** Mounting the coupling

**Note!** *At the same time, the coupling creates the equipotential bonding between the two trunking bases.*

**Note!** *With cut lengths, the coupling is clamped in the desk trunking on both sides.*

3. Claw the coupling <sup>18</sup> in the desk trunking <sup>1</sup>.

### 6.2 Mounting fittings

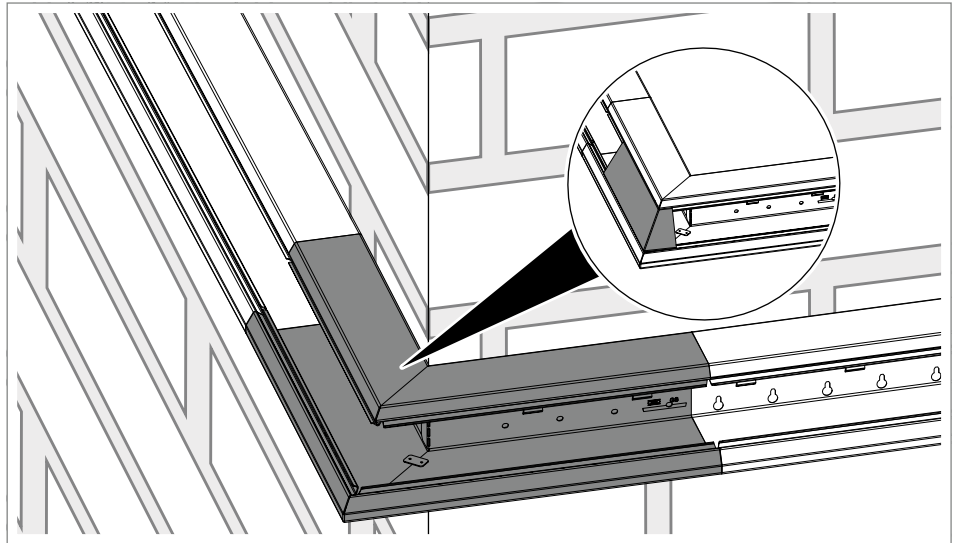


**Abb. 5:** Mounting an internal corner

1. Fasten the internal corner <sup>5</sup> to the wall in the slots using suitable fastening material (e.g. screw and anchor).

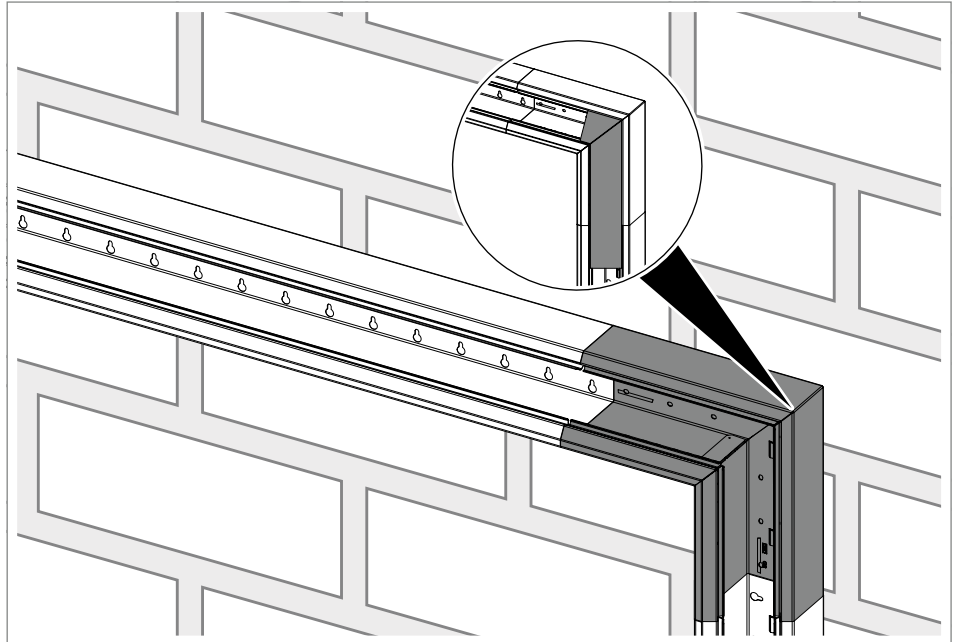
2. Mount the desk trunking <sup>1</sup> flush to the internal corner <sup>5</sup>.

3. Close the internal corner ⑤ with the internal corner cover ⑥.



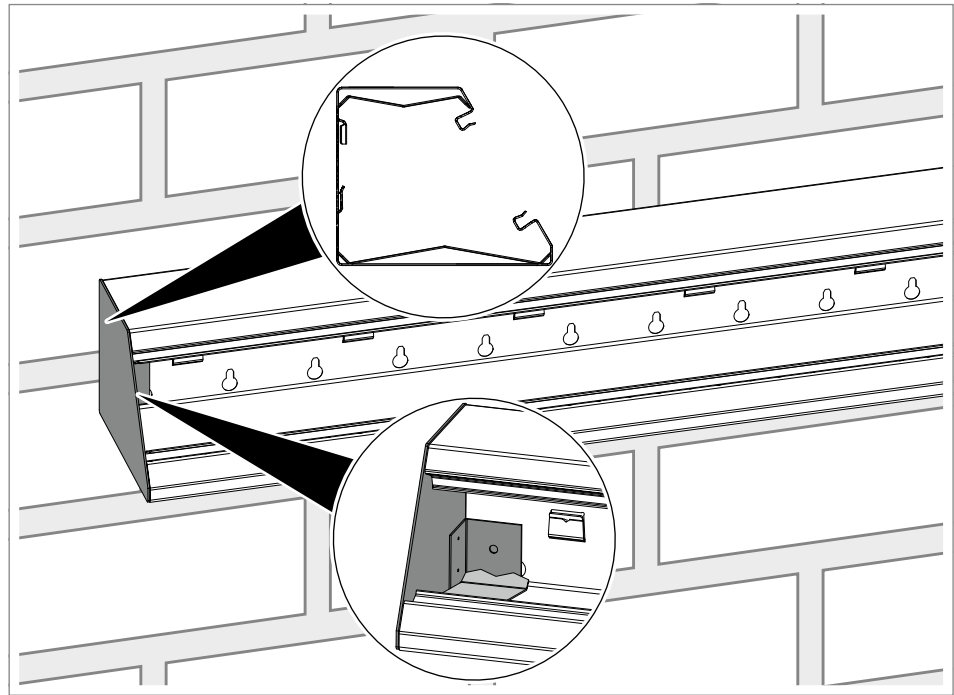
**Abb. 6:** Mounting an external corner

4. Fasten the external corner ③ to the wall in the slots using suitable fastening material (e.g. screw and anchor).
5. Mount the desk trunking ① flush to the external corner ③.
6. Close the external corner ③ with the external corner cover ④.



**Abb. 7:** Mounting a flat angle

7. Fasten the flat angle (rising/falling) ①/⑤ to the wall in the slots using suitable fastening material (e.g. screw and anchor).
8. Mount the desk trunking ① flush to the flat angle (rising/falling) ⑬/⑰.
9. Close the flat angle (rising/falling) ⑬/⑰ with the flat angle cover (rising/falling) ⑭/⑱.



**Abb. 8:** Mounting the end piece

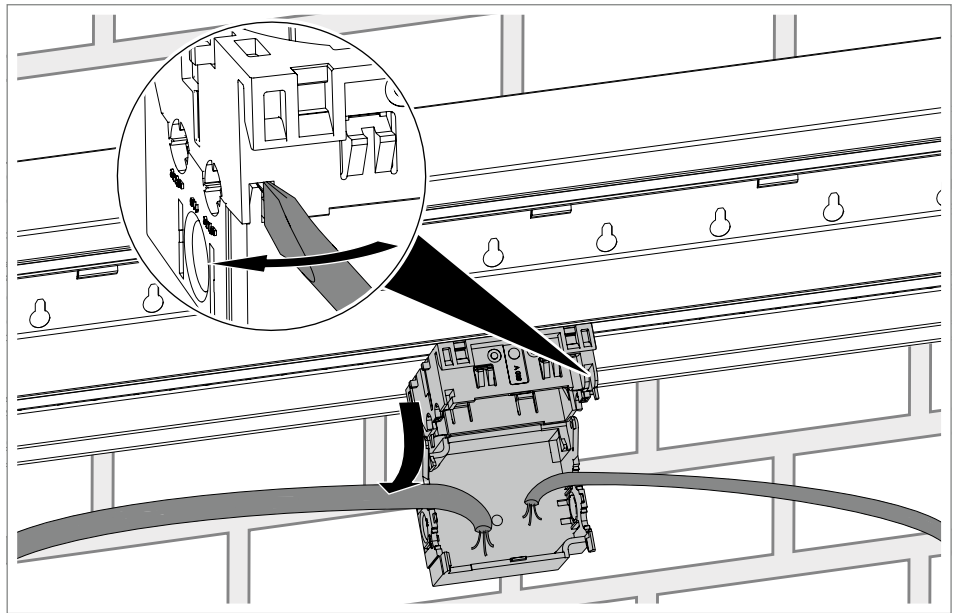
**Note!**

*If necessary, also screw the end piece on.*

10. Insert the end piece (left/right) 7/8 at the end of the desk trunking 1.
11. Clamp the end piece (left/right) 7/8 13 15 16 28 16 28 14 26 23 24 16 14 39 19 39 27 14 31 14 40 14 39 16 24.

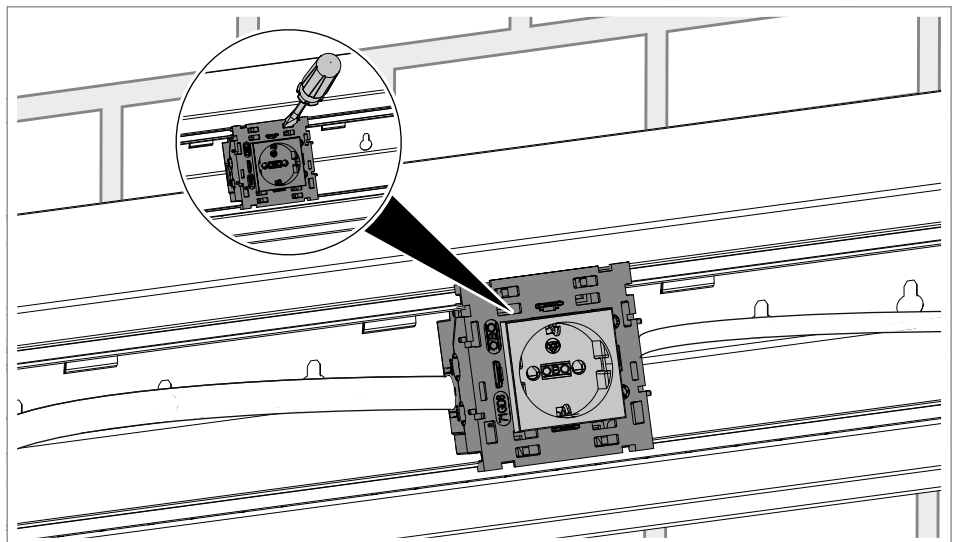
## 7 Installing devices

### 7.1 Mounting the Modul 45® device



**Abb. 9:** Preparing the accessory mounting box

1. Unlock the accessory mounting box 71GD8-2/71GD13/71GD9-2 ⑨ at the locking hooks using a slotted screwdriver and open accessory mounting box 71GD8-2/71GD13/71GD9-2 ⑨.
2. Lay the insulated cable in the opened accessory mounting box 71GD8-2/71GD13/71GD9-2 ⑨ and close the accessory mounting box 71GD8-2/71GD13/71GD9-2 ⑨.

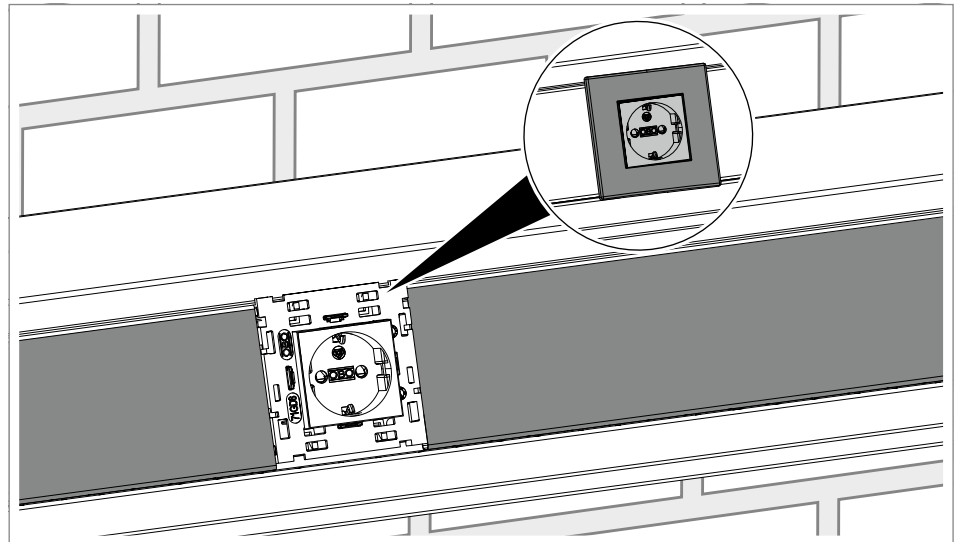


**Abb. 10:** Engaging the accessory mounting box

3. Engage the accessory mounting box 71GD8-2/71GD13/71GD9-2 ⑨ in the cover contour of the desk trunking ①.

**Note!**

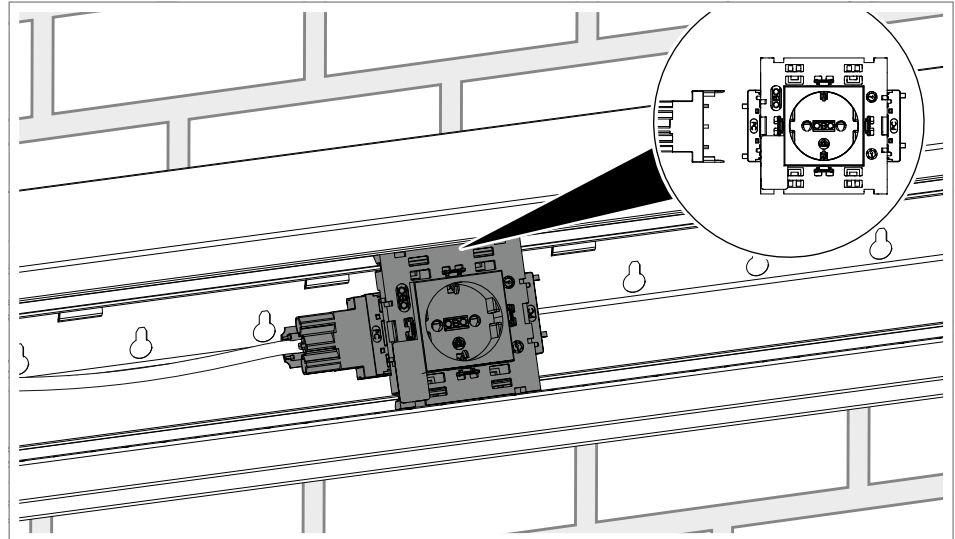
*The accessory mounting boxes can be moved lengthwise in the desk trunking.*



**Abb. 11:** Mounting the trunking cover

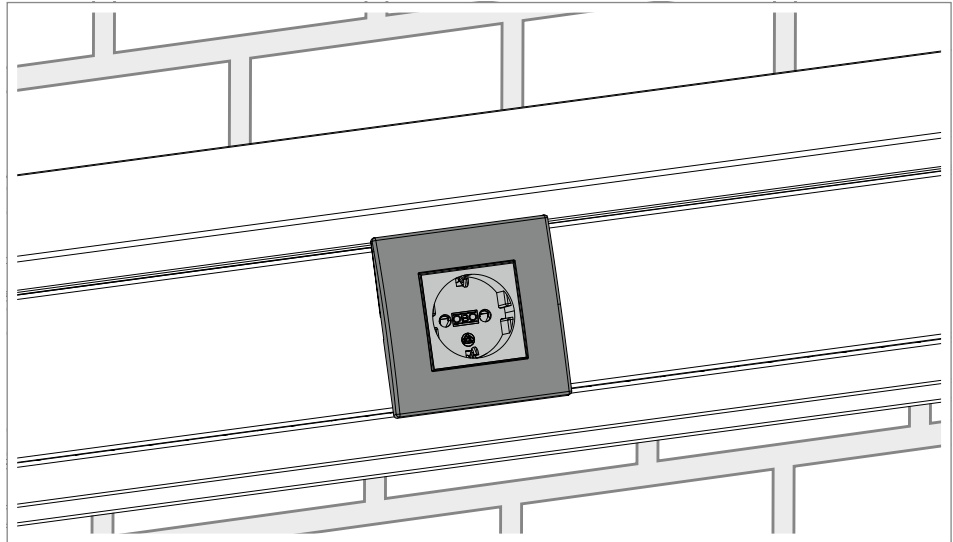
4. Engage the trunking cover <sup>2</sup> in the cover contour of the desk trunking <sup>1</sup> and push it up to the accessory mounting box 71GD8-2/71GD13/71GD9-2 <sup>9</sup>.
5. Engage the cover frame on the accessory mounting box 71GD8-2/71GD13/71GD9-2 <sup>9</sup>.

## 7.2 Mounting the Modul 45 connect<sup>®</sup> socket



**Abb. 12:** Mounting the Modul 45 connect<sup>®</sup> socket

1. Connect the Modul 45 connect<sup>®</sup> socket <sup>10</sup> with the Wieland connector.
2. Engage the Modul 45 connect<sup>®</sup> plug <sup>10</sup> the cover contour of the desk trunking <sup>1</sup>.



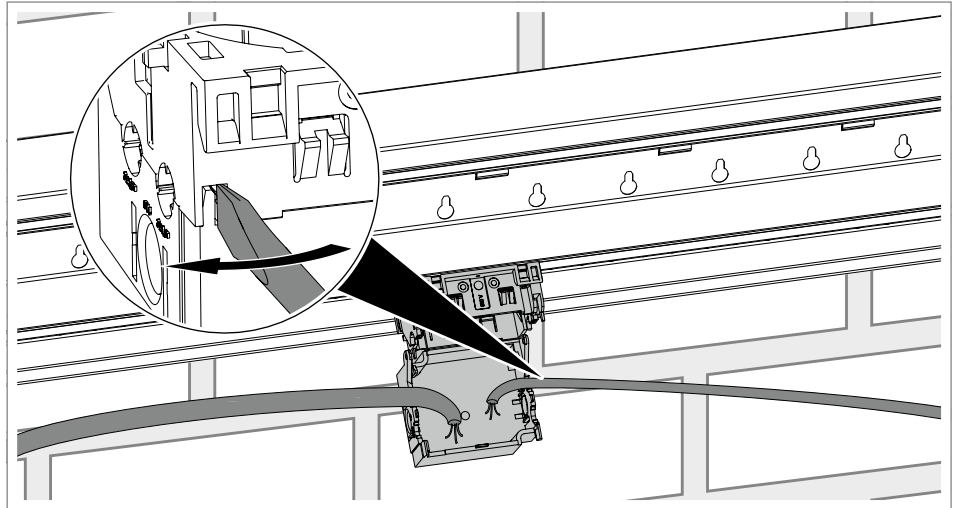
**Abb. 13:** Mounting the base and cover frame

3. Engage the trunking cover ② and cover frame in the cover contour of the desk trunking ①.

### 7.3 Mounting the support ring devices

**Note!**

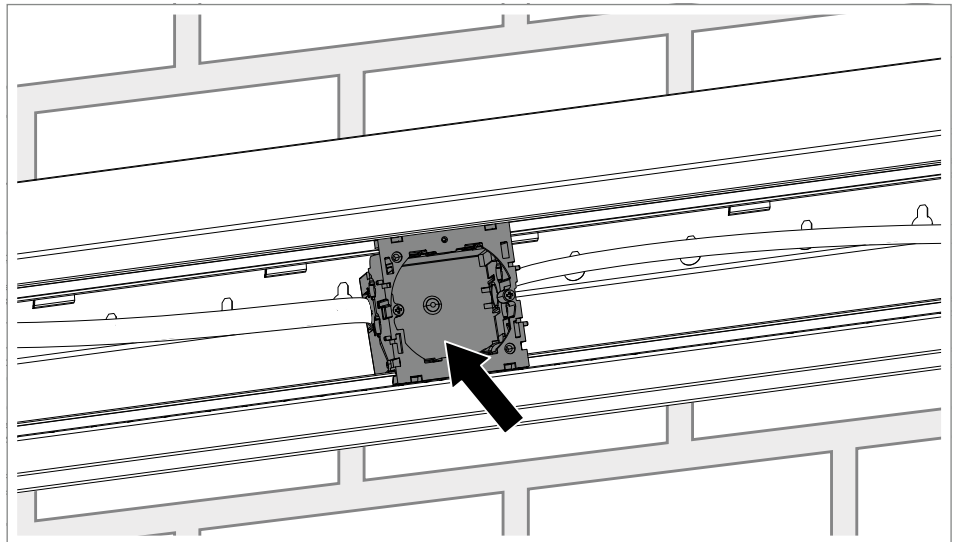
*The mounting of the double accessory mounting box takes place in the same way.*



**Abb. 14:** Preparing the accessory mounting box

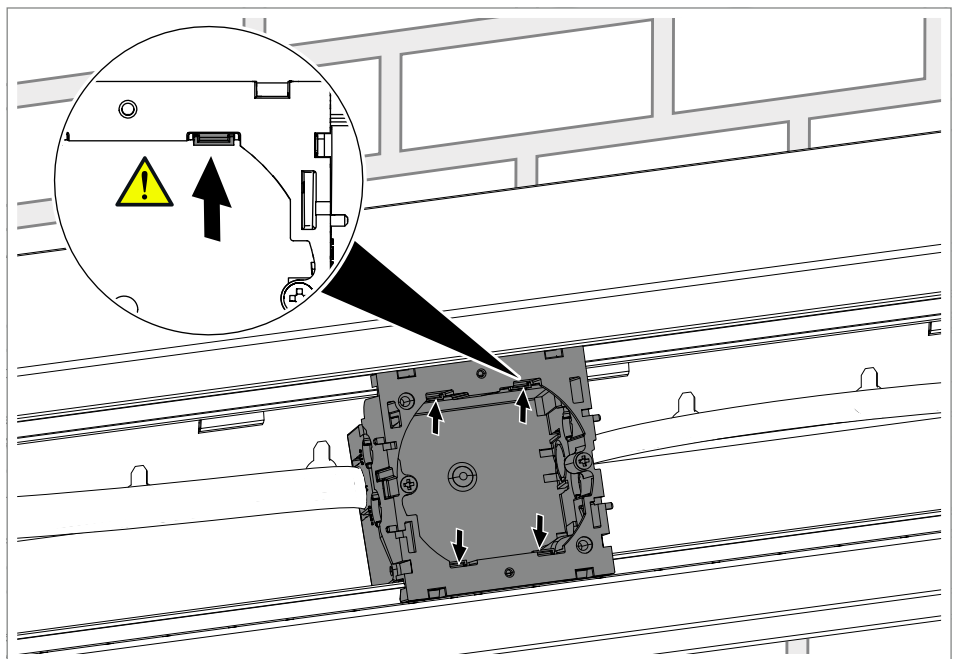
1. Unlock the accessory mounting box 71GD6/71GD7-2 ⑪ at the locking hooks using a slotted screwdriver and open accessory mounting box 71GD6/71GD7-2 ⑪.
2. Lay the insulated cable in the opened accessory mounting box 71GD6/71GD7-2 ⑪ and close the accessory mounting box 71GD6/71GD7-2 ⑪.





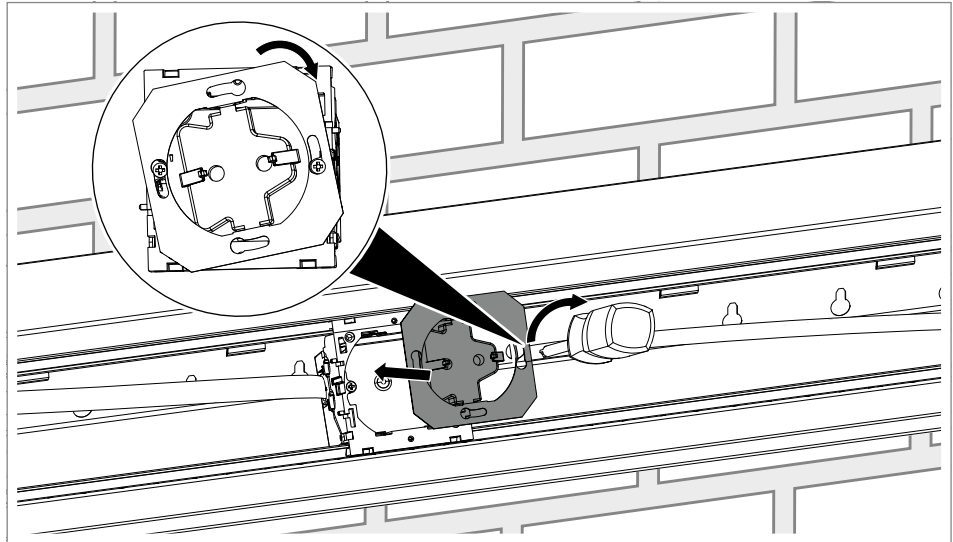
**Abb. 15:** Engaging the accessory mounting box

- Engage the accessory mounting box 71GD6/71GD7-2 <sup>11</sup> in the cover contour of the desk trunking <sup>1</sup>.



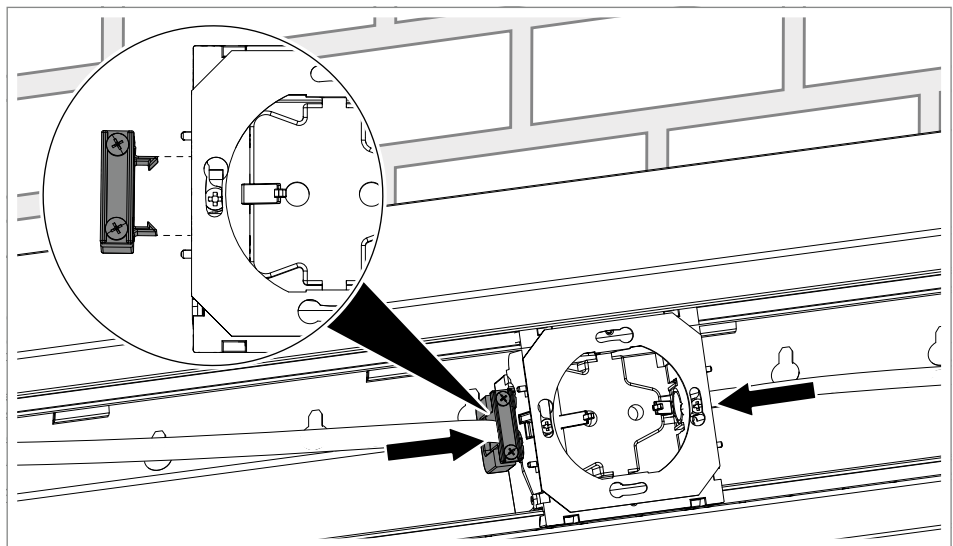
**Abb. 16:** Locking the accessory mounting box

- Push the locking hooks of the accessory mounting box 71GD6/71GD7-2 <sup>11</sup> under the locking contour.



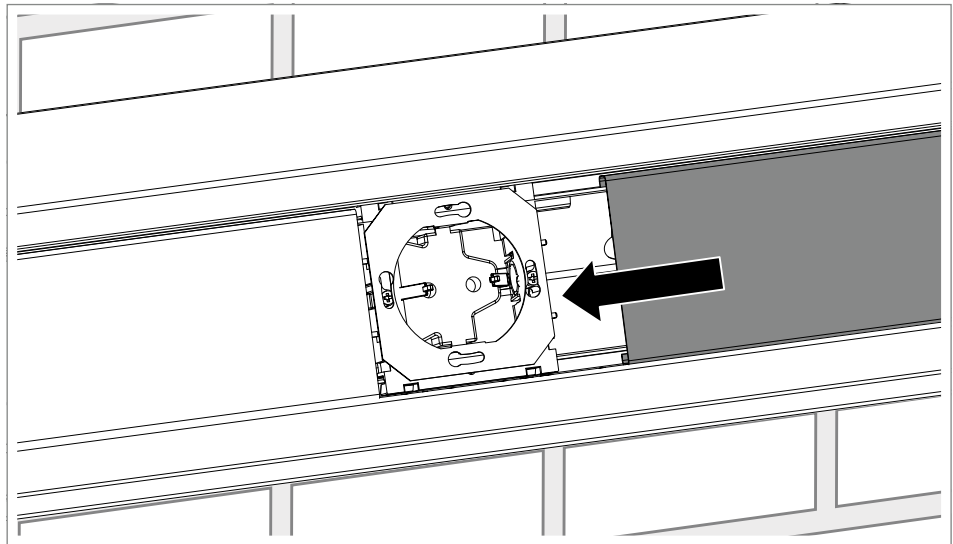
**Abb. 17:** Mounting the support ring devices

5. Connect the socket (with support ring).
6. Insert the socket.
7. Lock/turn the socket.
8. Screw the socket using the pre-mounted screws.



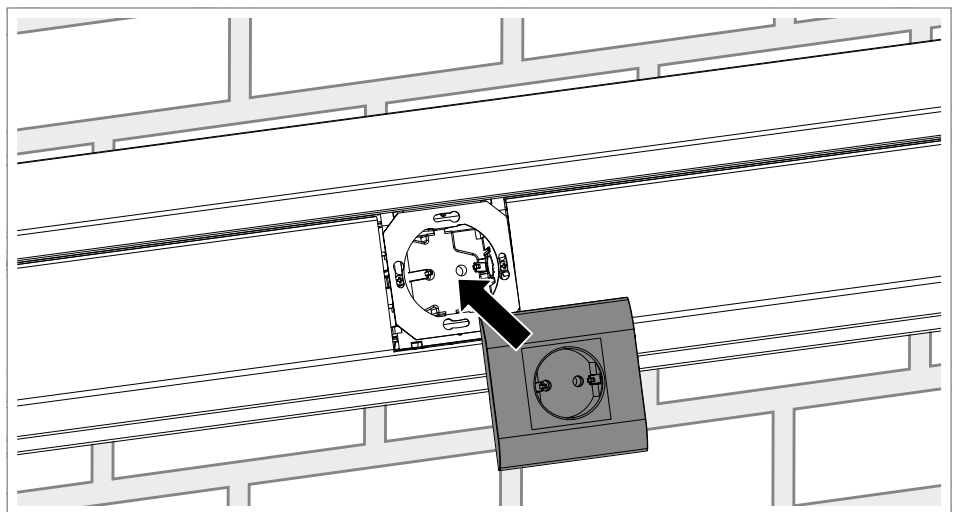
**Abb. 18:** Mounting the strain relief

9. Push the strain relief <sup>20</sup> with locking noses into the side of the accessory mounting box 71GD6/71GD7-2 <sup>11</sup>.



**Abb. 19:** Mounting the trunking cover

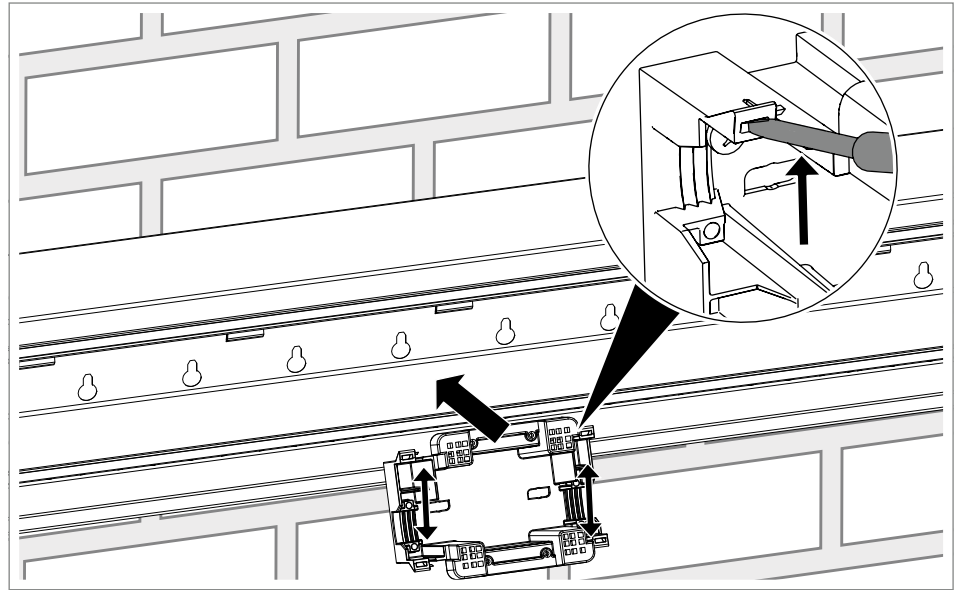
10. Push the trunking cover <sup>2</sup> to be flush to the edge of the accessory mounting box 71GD6/71GD7-2 <sup>11</sup>.



**Abb. 20:** Mounting the socket

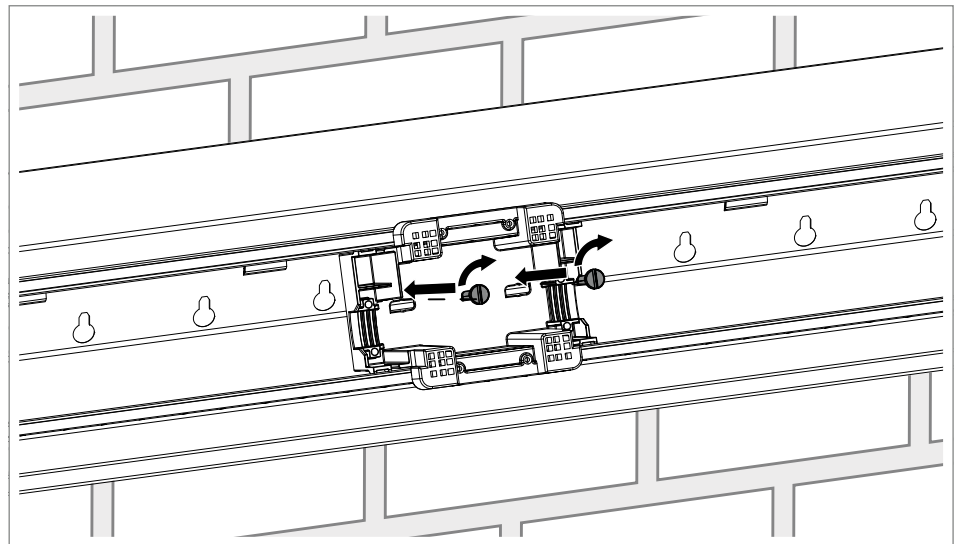
11. Complete mounting of the socket (according to the manufacturer's specifications).

## 7.4 Mounting the CEE socket



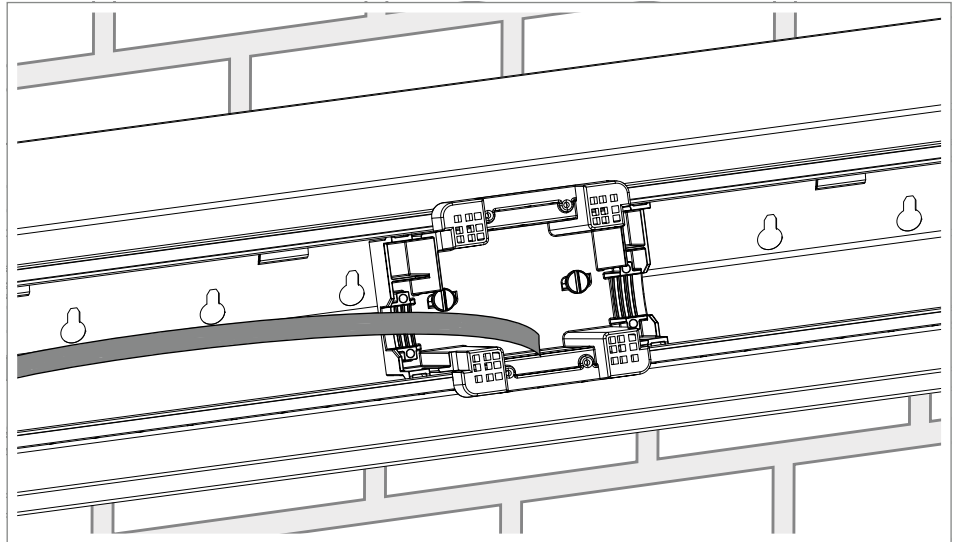
**Abb. 21:** Inserting the accessory mounting box 71GDCEE

1. Insert the accessory mounting box 71GDCEE ⑫ in the desk trunking ①.
2. Lock the device installation trunking 71GDCEE ⑫ with the locking hooks.



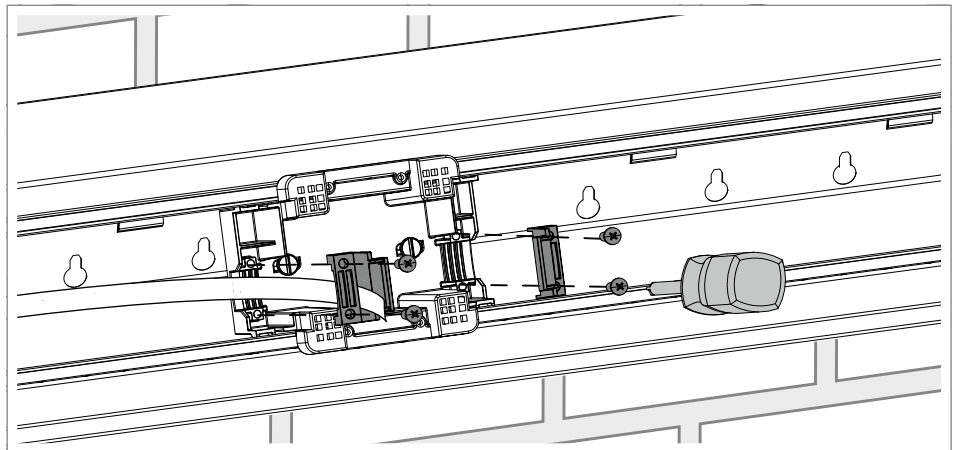
**Abb. 22:** Screwing in the accessory mounting box 71GDCEE

3. Push the turn buckle through the recesses in the base of accessory mounting box 71GDCEE ⑫ into the C rail of the desk trunking ①.
4. Turn the turn buckle 90° to the right.



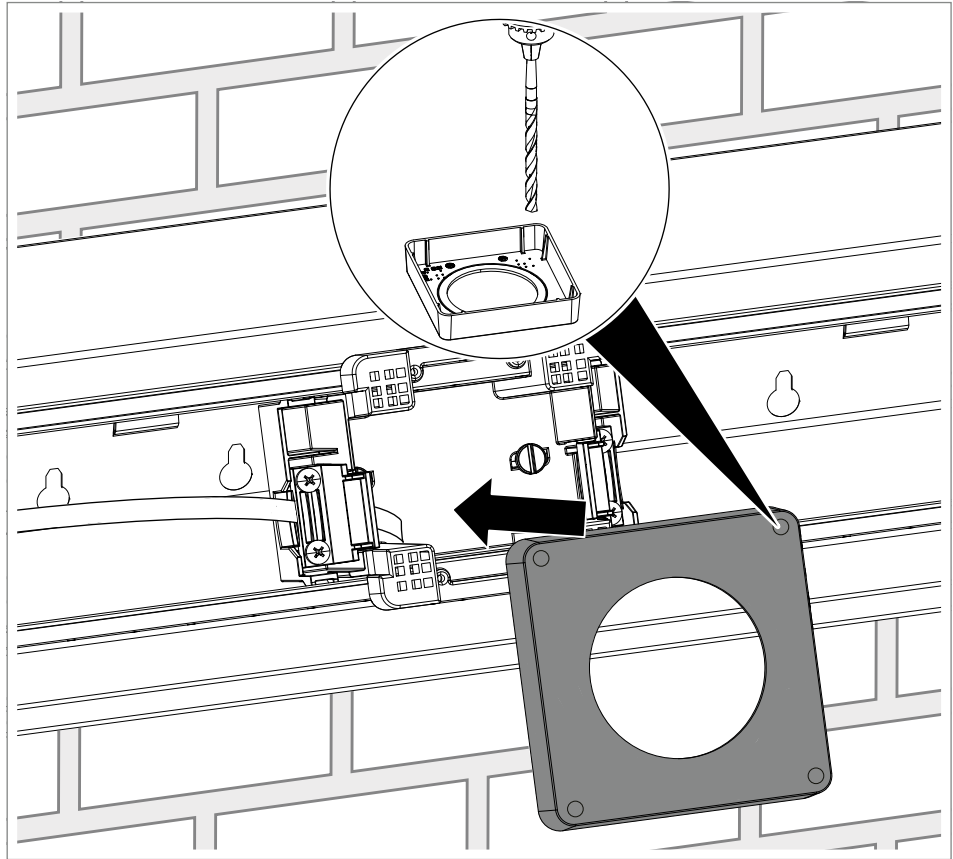
**Abb. 23:** Inserting cables

5. Lay the cable in the accessory mounting box 71GDCEE <sup>12</sup>.



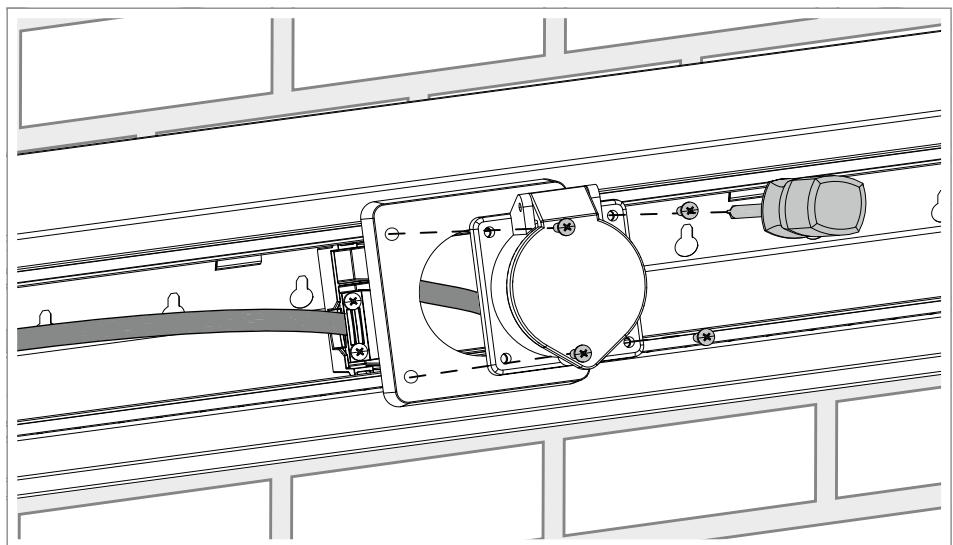
**Abb. 24:** Screwing in the strain relief

6. Screw both strain reliefs <sup>20</sup> tight using the supplied screws (torque: 1.2 Nm).



**Abb. 25:** Mounting the cover frame

7. Measure the drill hole spacings on the CEE socket.
8. Mark the corresponding perforations (depending on the drill hole spacing) in the interior of the cover frame.
9. Pre-drill the cover frame from within (diameter: 4.5 mm).
10. Attach the cover frame to the accessory mounting box 71GDCEE <sup>12</sup>.

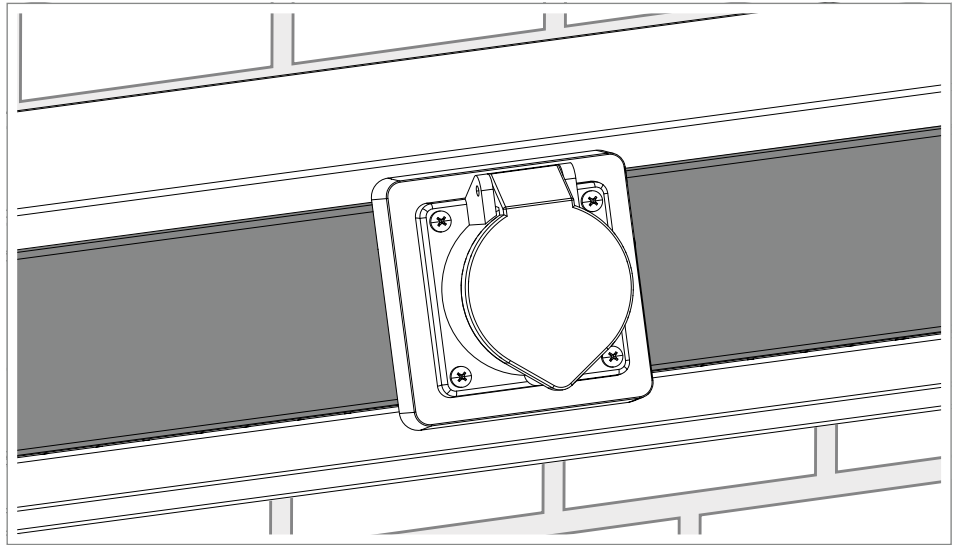


**Abb. 26:** Mounting the CEE socket

11. Connect the cable to the CEE socket.

12. Attach the CEE socket to the cover frame.

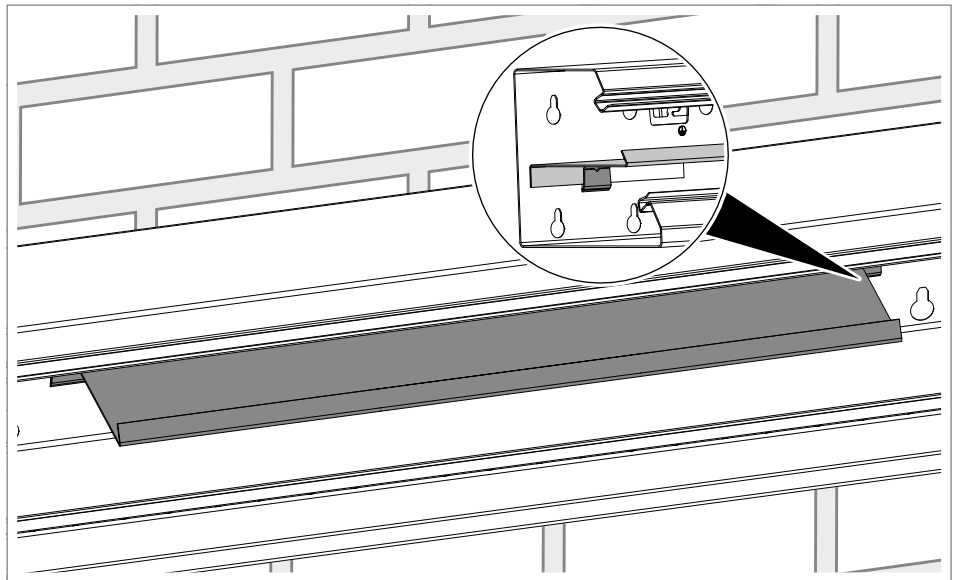
13. Screw the CEE socket tight using the metal screws supplied. (Torque: 1.2 Nm)



**Abb. 27:** Mounting the trunking cover

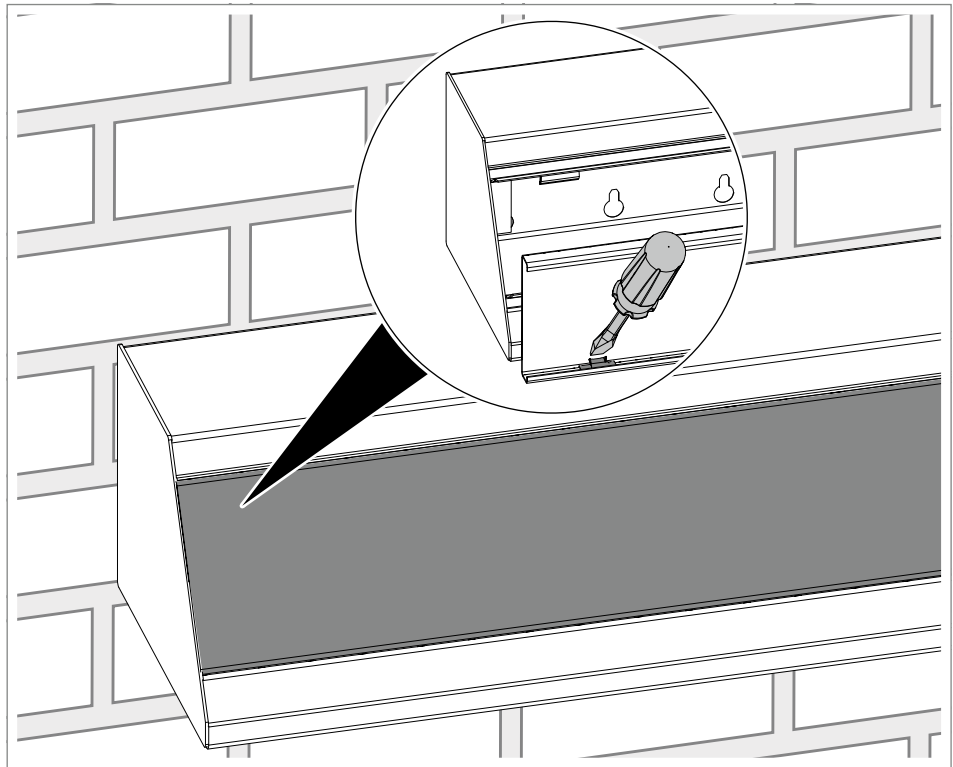
14. Push the trunking cover ② to be flush to the edge of the CEE socket.

## 8 Mounting accessories



**Abb. 28:** Mounting the partition

1. Engage the partition ⑮ in the fastening straps on the base of the desk trunking ①.



**Abb. 29:** Mounting the trunking cover

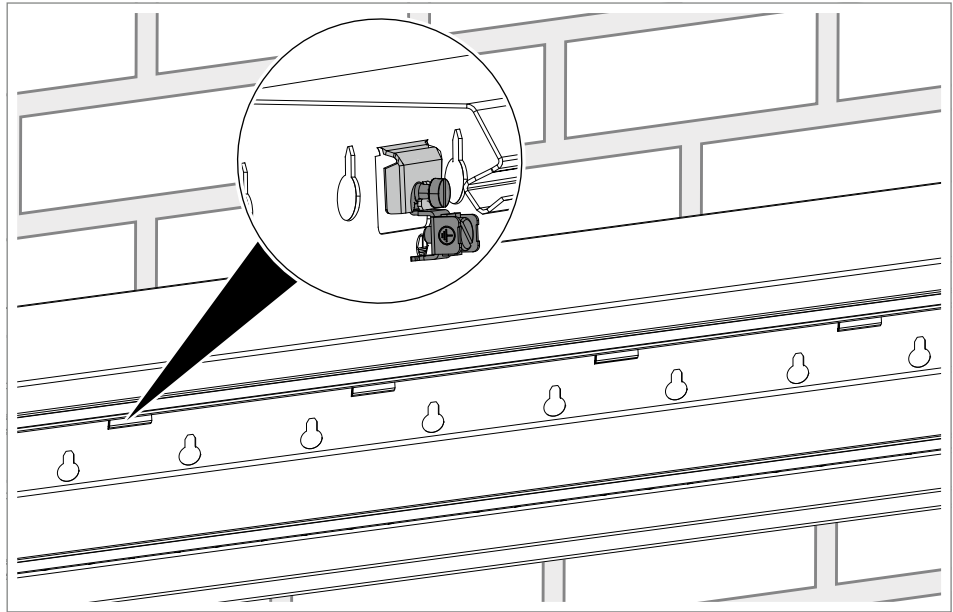
**Note!**

*The self-contacting cover earthing guarantees continuous protection without any additional wiring. The locking brackets are pre-mounted in the trunking cover. Locking bracket for the mechanical and electrical connection of trunking covers and trunking bases.*

2. With cut trunking covers, install locking brackets <sup>19</sup>. They must be mounted at a distance of min. 50 mm from the end of the trunking cover <sup>2</sup>.
3. Engage the trunking cover <sup>2</sup> in the desk trunking <sup>1</sup>.

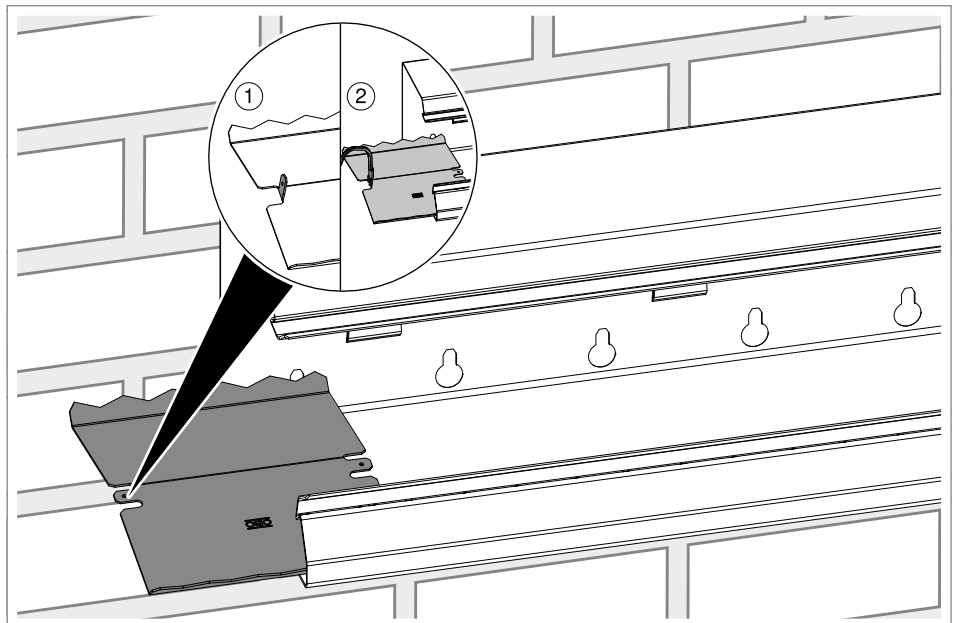


## 8.1 Earthing desk trunking GEK-S



**Abb. 30:** Earthing the desk trunking

1. Turn the protective conductor connection bracket ② into the appropriate recesses in the desk trunking ① and fasten using a screwdriver.



**Abb. 31:** Earthing the coupling

2. Bend the earthing strap on the coupling ⑱ up by 90°.
3. Slide the equipotential bonding conductor onto the earthing strap.

## 9 Caring for desk trunking GEK-S

The visible surfaces of desk trunking GEK-S made from sheet steel are masked with protective film at the factory and packaged in cardboard to prevent surface contamination during the construction phase.

### 10 Maintaining desk trunking GEK-S

The requirements for maintaining desk trunking vary depending on the mounting location and use.

Observe the following basic rules:

- If the desk trunking is subjected to dynamic loads, e.g. when mounted directly to machine parts or conveyor systems, shaking motions may loosen the mounting elements used. In this case, check the screw connections and the stability of the trunking system regularly.
- If only static loads occur, the trunking system does not have to be maintained.

### 11 Disassembling desk trunking GEK-S

Dismantling of all the elements of the desk trunking GEK-S takes place in the reverse order to mounting.

### 12 Disposing of desk trunking GEK-S



Comply with the local waste disposal regulations.

- Metallic parts: As scrap metal
- Plastic parts: As plastic
- Packaging: As household waste (depending on packaging type)

## 13 Technical data

Designation	Type	Item no.	Dimensions (H x W x L)	Material	Colour
Device installation trunking, desk trunking	GEK-SA133110RW	6282700	133x110x2,000	Steel	Pure white
Trunking cover, sheet steel	GS-OTRW	6279850	12x76.5x2,000	Steel	Pure white
Trunking cover, sheet steel	GS-OTRW 100	6286930	12x76.5x100	Steel	Pure white
Plastic trunking cover	GK-OTGRW	6278680	80x2,000 mm	Polyvinylchloride	Pure white
Plastic trunking cover	GK-OTKRW	6278780	80x2,000 mm	Polyvinylchloride	Pure white
External corner	GEK-SAA133110RW	6282710	133x110x300	Steel	Pure white
External corner cover Sheet steel	AOP3S80RW	6287050	12x76.5x300	Steel	Pure white
Internal corner	GEK-SAIS133110RW	6282740	133x110x300	Steel	Pure white
Internal corner cover Sheet steel	IOP3RW	6287080	12x76.5x300	Steel	Pure white
Rising flat angle	GEK-SAFS133110RW	6282720	133x110x300	Steel	Pure white
Flat angle cover rising	FOOP3RW	6287060	12x76.5x400	Steel	Pure white
Falling flat angle	GEK-SAFF133110RW	6282730	133x110x300	Steel	Pure white
Flat angle cover Falling	FUOP3RW	6287070	12x76.5x400	Steel	Pure white
End piece, left	GEK-SEL133110RW	6282870	133x110 mm	Steel	Pure white
End piece, right	GEK-SER133110RW	6282770	133x110 mm	Steel	Pure white
Partition	TWP	6288264	14x92x2,000	Steel	Pure white
Coupling	KUPP	6288680	133x105	Stainless steel	Stainless steel
Locking bracket	RKV3V	6288700	11x20x6	Steel	Electrogalvanised
Accessory mounting box, 1x	71GD8-2	6288569	51x76x71	Polyamide	Iron grey
Accessory mounting box, Double	71GD13	6288583	51x76x140	Polyamide	Iron grey
Modul 45 connect® socket, 1x	STD-D0C8 RW1	6120412	86 x 76 x 42	Polycarbonate	Pure white
Modul 45 connect® socket, 2x	STD-D0C8 RW2	6120432	131 x 76 x 42	Polycarbonate	Pure white
Modul 45 connect® socket, 3x	STD-D0C8 RW3	6120452	86 x 76 x 42	Polycarbonate	Pure white
Accessory mounting box, Triple	71GD9-2	6288579	51x76x160	Polyamide	Iron grey
Accessory mounting box, 1x	71GD6	6288610	51x76x71	Polyamide	Iron grey

## Technical data

Designation	Type	Item no.	Dimensions (H x W x L)	Material	Colour
Accessory mounting box, Double	71GD7-2	6288608	51x76x142	Polyamide	Iron grey
GEE accessory mounting box	71GDCEE	6288635	73x84x117	Polyamide	Graphite black
Strain relief	7ZE	6288790	28x34x14	Polyamide	Graphite black
Protective conductor connection bracket	8AWR	6288704	20x12x15	Steel	Electrogalvanised

**Tab. 1:** Technical data: Desk trunking GEK-S



**OBO Bettermann Holding GmbH & Co. KG**

P.O. Box 1120  
58694 Menden  
GERMANY

**Technical Office**

Tel.: +49 (0)2373 89-1300

[technical-office@obo.de](mailto:technical-office@obo.de)

[www.obo-bettermann.com](http://www.obo-bettermann.com)

Date 08/2025

241090.04

---

**Building Connections**

