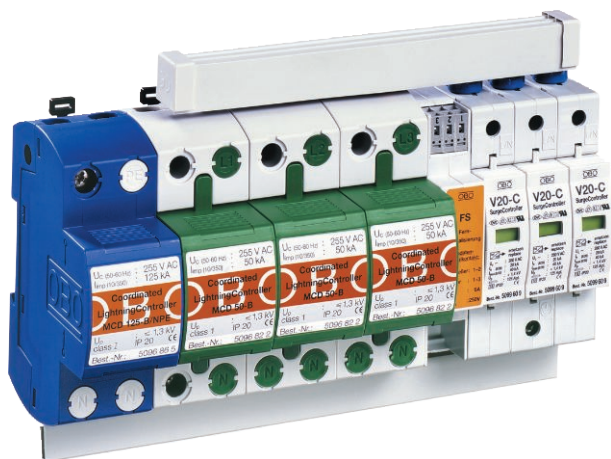


# Technical data sheet

## Protection Set PS4-B+C FS

Item no. 5089611



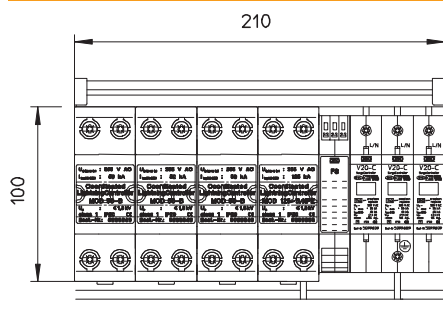
Protection set with remote signalling, lightning and surge arrester type 1+2

- Arresting capacity 100 kA 10/350 μs, BET tested
- Pre-mounted and ready for connection, incl. connecting bridges, labelled connection terminals
- With remote signalling and potential-free changeover contact for function monitoring
- For use in TN-S and TT network systems

Note: Max. backup fuse (required only if not already fitted in network) 125 A gL/gG



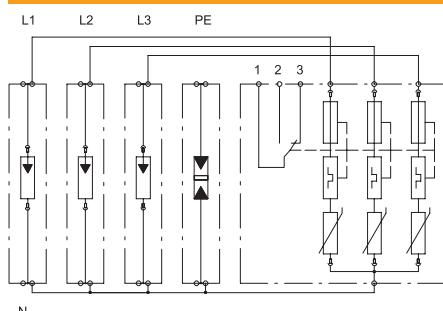
### Dimensions



### Master data

Item no.	5089611
Type	PS4-B+C FS
Description 1	Protection set
Description 2	with remote signalling
Dimension	255V
Smallest sales unit (VG)	1 Piece
Weight	214,00 kg/100 pc.

### Technical data



SPD to EN 61643-11	Type 1+2
SPD to IEC 61643-11	Class I+II
Nominal voltage	230,00 V
Maximum continuous voltage AC	255,00 V
Max. continuous operating voltage	255,00 V
Maximum continuous voltage (L-N)	255,00 V
Maximum continuous voltage (N-PE)	255,00 V
Nominal discharge current (8/20)	100 kA
Maximum discharge current (8/20 μs)	100,00 kA

# Technical data sheet

## Protection Set PS4-B+C FS

Item no. 5089611



### Technical data

Impulse discharge current (10/350)	50,00 kA
Lightning impulse current (10/350) (N-PE)	125,00 kA
Lightning impulse current (10/350) (L-N)	50,00 kA
Lightning surge current (10/350)	100,00 kA
Arrester surge current (8/20) [total]	100,00 kA
Protection level	<1,3 kV
Follow current quenching capacity (eff) [N-PE]	25,00 kA
Follow current quenching capacity left	12,50 kA
Response time	<25 ns
Maximum back-up fuse	125,00 A
Temperature range	-40-+80 °C
Pole version	3+N/PE
Version	3+1-pole with FS; 255 V
Version	3 + NPE
Protection rating	IP20
Protection rating	IP 20
Division unit TE (17.5 mm)	12
Telecommunications contact	<input checked="" type="checkbox"/>
Connection cross-section, flexible	10,00 - 25,00 mm <sup>2</sup>
Connection cross-section, rigid	10,00 - 50,00 mm <sup>2</sup>
Connection cross-section, multi-wire	10,00 - 35,00 mm <sup>2</sup>
Signalling on device	Visual